

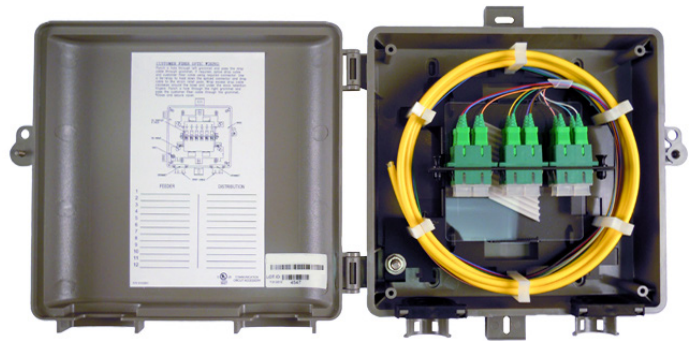
### Fiber Gateway Panel (FGP) Wallmount Enclosure

ARIA's Fiber Gateway Panel (FGP) Wallmount Enclosure is a compact unit which features connectivity between the OSP fiber drop and customer fiber drop and slack storage.

The unit is configurable for up to 12 fiber terminations.

Features easy installation for patch or patch & splice options.

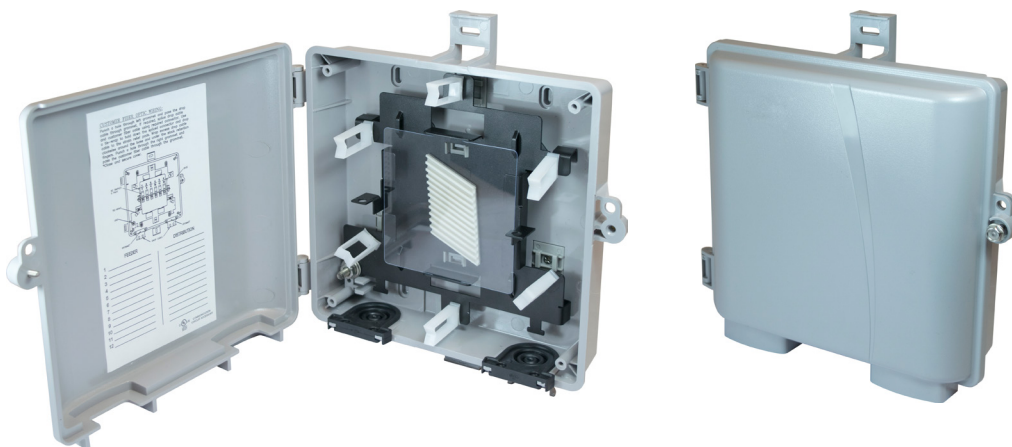
Rugged plastic housing with separate entry points for OSP fiber and customer fiber.



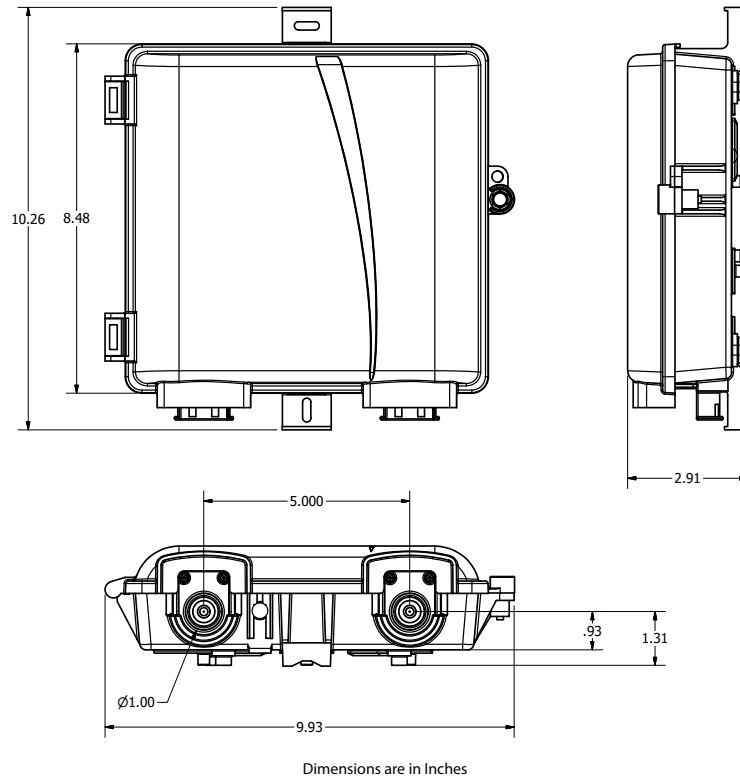
### Features/Benefits

- Indoor/outdoor rated for wall and pole mounting
- Provides demarcation point between outdoor fiber drop and customer premise fiber
- Constructed of superior materials capable of withstanding harsh outdoor environments, including: UV degradation, chemical exposure, and extreme temperatures
- Up to 12 fiber ports for OSP to customer fiber transitions
- Integrated and removable splice tray assembly
- Entry grommets accept up to 1 inch conduit with provision for tie wrap retention
- 2X internal tie down features for proper strain relief of fiber cables
- Hinged cover fits securely on the base to provide maximum protection against environmental conditions and intrusion of foreign matter, protecting sensitive fiber connectivity
- Cover closes securely with 3/8" hex head bolt and has a provision for a padlock
- Meets Telcordia GR-771 requirements

### Interior and Exterior View



### Fiber Gateway Panel (FGP) Wallmount Enclosure Dimensions



### Part Number

FGP- 1 1 2 2 2 3 4

**1** Adapter Plate Type  
 06 = 6 Port (SC/FC/ST)  
 08 = 8 Port (SC/FC/ST)  
 12 = 12 Port (SC/LC)

**2** Adapter Type  
 Singlemode  
 SCU = SC/UPC  
 SCA = SC/APC  
 LCU = LC/UPC  
 LCA = LC/APC  
 Multimode  
 SCM = SC  
 LCM = LC

**3** Pigtail  
 N = No Pigtail  
 M = 900 μm in Mesh  
 R = Ribbon  
 D = Distribution Style (MIC)  
 Note: 3 meter pigtail length is standard

**4** Fiber Type  
 Singlemode  
 S = SMF-28e+  
 B = SMF Bend Insensitive G.657.A1  
 Multimode  
 1 = 62.5/125μm  
 2 = 50/125μm  
 3 = 50/125μm OM3  
 4 = 50/125μm OM4