

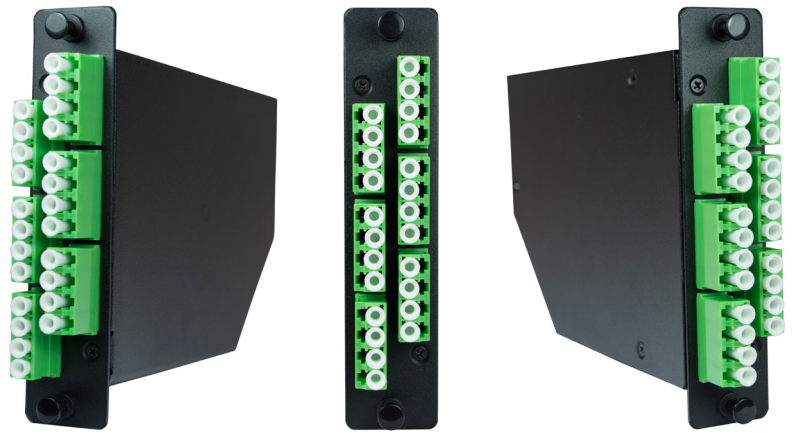
A-MOD Patch and Splice LGX Cassette

ARIA A-MOD Patch and Splice LGX Cassettes provide an innovative means to accommodate up to 24 fiber interconnections in an industry-standard, single-slot LGX footprint.

A-MOD features convenient fiber cable entry and attachment, a rugged metal construction, and flexible splice sleeve storage locations.

The end user is able to securely manage both single and ribbon fiber arrangements.

A-MOD allows a 4RU rackmount enclosure to be outfitted with up to 288-fiber interconnections.



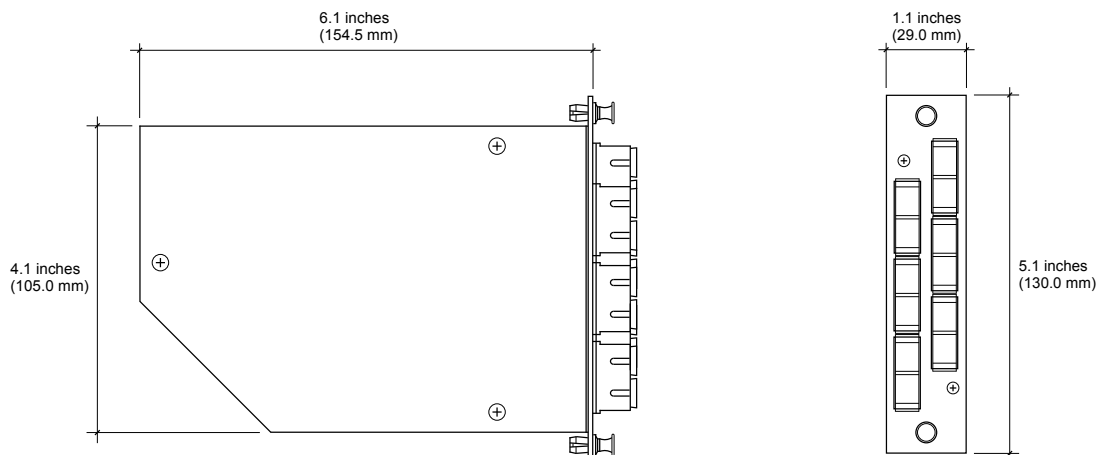
Features

- 24-fiber interconnection capacity
- LGX compatibility
- Rugged metal construction
- Intuitive cable entry and attachment
- Flexible splice sleeve storage locations
- Available in SC and LC connector arrangements
- Organized fiber routing
- Fixed solution with no moving parts

Applications

- Telecommunications Closets
- Data Centers
- Customer Premise
- Local and Wide Area Networks
- Central Offices
- Hub Sites
- Cabinets
- Remote Terminals
- Distributed Antenna Systems (DAS)

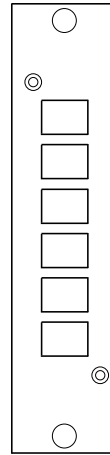
Dimensions



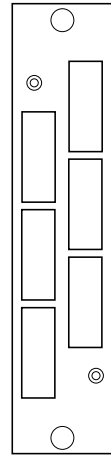
A-MOD Patch and Splice LGX Cassette Convenient Cable Entry



Adapter Plate Options



6 Port, SC Simplex

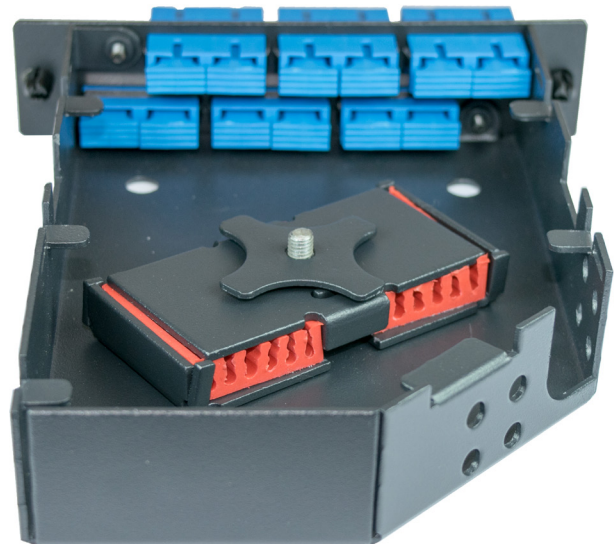


6 Port, SC Duplex

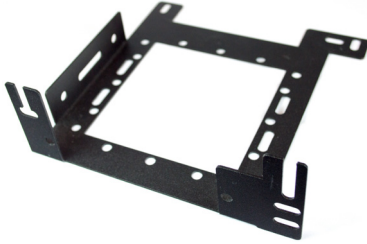
Quick Detach Clear Lid Option Available



Quick Detach Clear Lid Option Comes With Easy to Use Splice Sleeve Holder



A-MOD Patch and Splice LGX Cassette Mounting Accessories



A-MOD Wallmount Bracket
P/N: AM-WMB



3X 1RU LGX Wall/Rackmount Bracket
P/N: 3XLGXW-RBRACKET-B-OT



6X 2RU LGX Wall/Rackmount Bracket
P/N: 6XLGXW-RBRACKET-B-OT

Splice Sleeves

- 40 mm Single Fiber Fusion Splice Sleeve
P/N: FSSSD-040-1
- 45 mm Ribbon Fiber Mass Fusion Splice Sleeve
P/N: FSPS-45MM-R-1



Part Number



<p>1 Adapter Plate</p> <p>SX = 6 Port, SC Simplex (6 Fibers Simplex SC or 12 Fibers Duplex LC)</p> <p>DX = 6 Port, SC Duplex (12 Fibers Duplex SC or 24 Fibers Quad LC)</p>	<p>2 Pigtail</p> <p>N = No Pigtail M = 900 µm in Mesh R = Ribbon D = Distribution Style (MIC)</p>	<p>3 Lid Type</p> <p>ML = Metal Lid CP = Clear Plastic Lid</p>	<p>4 Adapter Type</p> <p>Singlemode SCU = SC/UPC SCA = SC/APC LCU = LC/UPC LCA = LC/APC</p> <p>Multimode SCM = SC LCM = LC</p> <p>000 = No Adapters</p>	<p>5 Fiber Type</p> <p>Singlemode S = SMF-28e+ B = SMF Bend Insensitive G.657.A1</p> <p>Multimode 1 = 62.5/125µm 2 = 50/125µm 3 = 50/125µm OM3 4 = 50/125µm OM4</p> <p>0 = No Pigtail</p>
--	--	---	--	--

Note: 3 meter pigtail length is standard